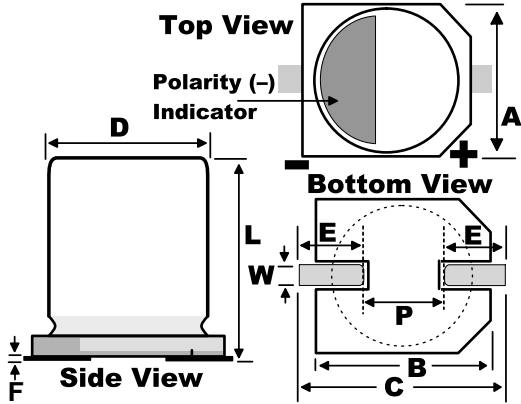


Aluminum Electrolytic, 105C LowZ, EXV, 47 uF, 20%, 6.3 V, -55/+105C



| General Information | |
|---------------------|--------------------------------------|
| Dielectric: | Aluminum Electrolytic |
| Style: | SMD Can |
| Series: | EXV |
| Description: | Surface Mount, Aluminum Electrolytic |
| Features: | Ultra Low Impedance |
| RoHS: | Yes |
| Lead: | V-Chip |

| Dimensions | |
|------------|--------------------|
| D | 5mm +/-0.5mm |
| L | 5.4mm +0.25/-0.1mm |
| W | 0.65mm +/-0.1mm |
| F | 0.3mm MAX |
| A | 5.3mm +/-0.2mm |
| B | 5.3mm +/-0.2mm |
| C | 6.5mm MAX |
| E | 2.2mm +/-0.2mm |
| P | 1.5mm +/-0.2mm |

| Specifications | |
|--------------------------|--|
| Capacitance: | 47 uF |
| Capacitance Tolerance: | 20% |
| Voltage DC: | 6.3 VDC, 8 VDC (Surge) |
| Temperature Range: | -55/+105C |
| Rated Temperature: | 105C |
| Life: | 3000 Hrs |
| Dissipation Factor: | 26% |
| Resistance: | 1 Ohms (100kHz) |
| Current: | 112 mAmps (120Hz), 224 mAmps (120Hz 85C), 160 mAmps (100kHz) |
| Leakage: | 3 uAmps (2min 20C) |
| Impedance Ratio at -25C: | 2 |
| Impedance Ratio at -40C: | 3 |
| High Temperature Solder: | Yes |

| Packaging Specifications | |
|--------------------------|------------|
| Packaging: | T&R, 380mm |
| Packaging Quantity: | 1000 |